

ELECTRICAL SPECIFICATIONS

TURNS RATIO:
(PRI TO SEC)

1 : 1 ±2%

INDUCTANCE:
(PRI'S)

100µH MIN. @ 0.01V, 100KHz, 25°C
40µH MIN @ 0.01V, 100KHz, - 40°C TO + 85° C

LEAKAGE INDUCTANCE:
(PRI'S) (WITH SEC'S SHORTED)

.110µH MAX. @ 0.1VRMS ,1MHz

INTERWINDING CAPACITANCE:
(PRI) TO (SEC)

10pf MAX @0.2 VRMS, 1MHz

D.C. RESISTANCE:
PRIMARY
SECONDARY

0.3ohms Max.
0.3ohms Max.

DIELECTRICAL VOLTAGE WITHSTAND:
(PRI) TO (SEC)

1500VAC for 60 seconds (1800 VAC for 1second for production test)

RETURN LOSS: (3-1) 75 OHM REF

860 kHz TO 1.72 MHz
1.72 MHz TO 34.4 MHz
34.4 MHz TO 51.6 MHz

12 dB MIN
18 dB MIN
14 dB MIN

NOTE: 75 OHMS CONNECTED TO PINS (4-6)

COMMON MODE REJECTION RATIO:

50 dB OR BETTER @ 1 MHz

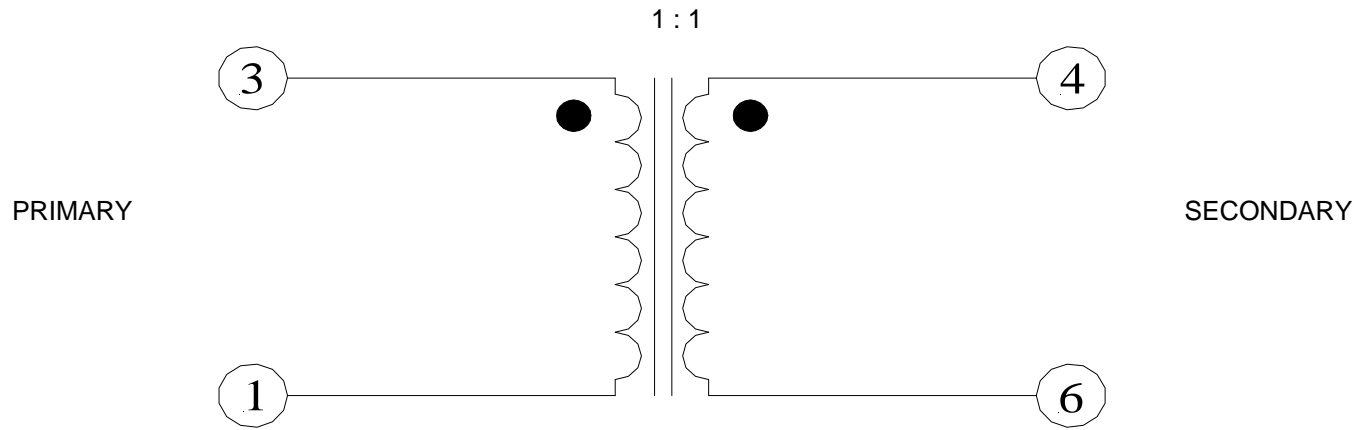
36976

DWG.
NO.

1			TMP		#####
REV	ECO#	DE	DWN	ALE	DATE
REVISIONS/APPROVAL					

1000 PARKER LAKE ROAD WAYZATA, MN 55391 (952) 475-1173					
TITLE		T3 PACKAGE			
SIZE	CAGE CODE	SCALE	SHEET	DWG NO.	REV
A	80023	NONE	1 OF 4	36976	1

ELECTRICAL SCHEMATIC



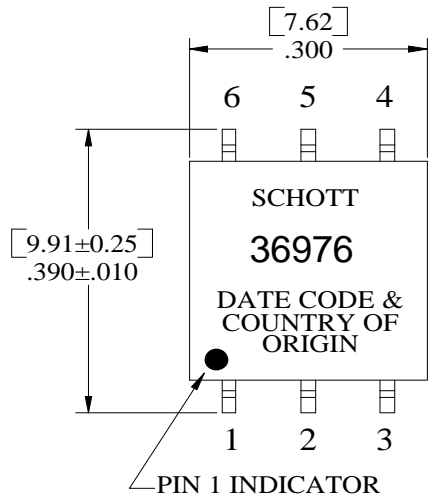
36976

DWG.
No.

1			TMP		#####
REV	ECO#	DE	DWN	ALE	DATE
REVISIONS/APPROVAL					

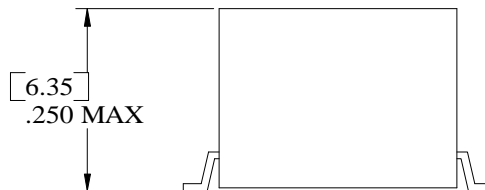
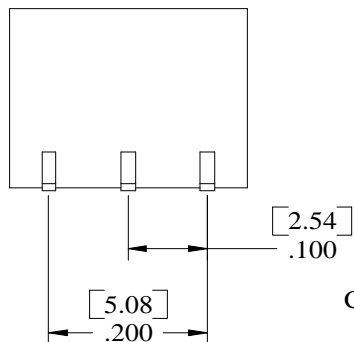
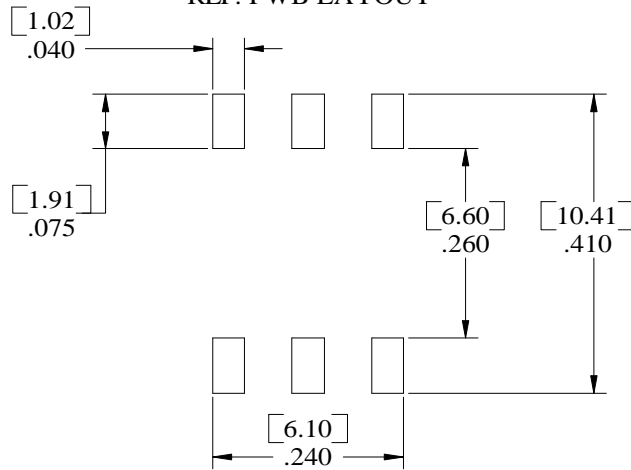
1000 PARKER LAKE ROAD WAYZATA, MN 55391 (952) 475-1173					
TITLE	T3 PACKAGE				
SIZE	CAGE CODE	SCALE	SHEET	DWG NO.	REV
A	80023	NONE	2 OF 4	36976	1

DIMENSIONAL OUTLINE



[mm]
Inches

REF. PWB LAYOUT



COPLANARITY OF PINS IS LESS THEN OR EQUAL TO 0.004 [0.102]

36976

DWG. No.

1			TMP		#####
REV	ECO#	DE	DWN	ALE	DATE
REVISIONS/APPROVAL					

1000 PARKER LAKE ROAD WAYZATA, MN 55391 (952) 475-1173					
TITLE		T3 PACKAGE			
SIZE	CAGE CODE	SCALE	SHEET	DWG NO.	REV
A	80023	NONE	3 OF 4	36976	1